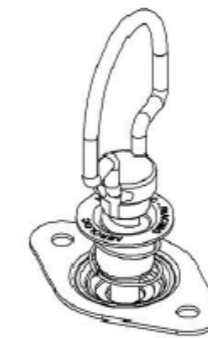
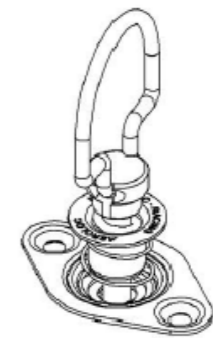


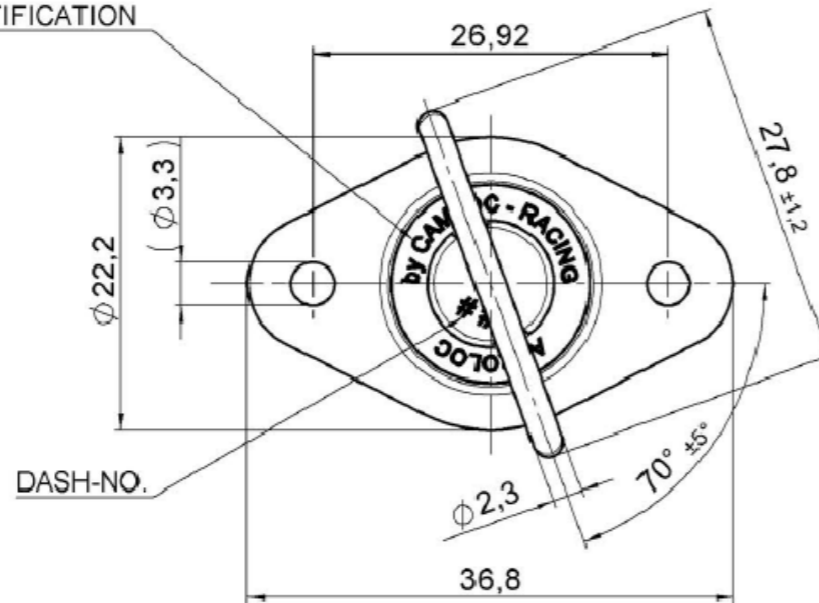
200-5000 SERIES



200-5100 SERIES

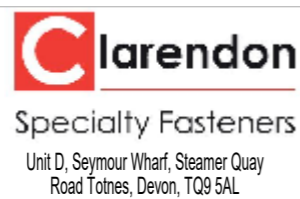


MANUFACTURER IDENTIFICATION



DASH-NO.

B	0138	UPDATED ACCORDING TO CSFWI65	SK	29/07/2020
A		FIRST ISSUE	WW	10/09/2015
ISSUE	ECN NO.-	REVISION	BY	DATE



TOLERANCES:
UNLESS OTHERWISE SPECIFIED: DIMENSIONS ARE IN MILLIMETRES

LINEAR:
X - ±0.50
X.X - ±0.25
X.XX - ±0.10

ANGULAR: ± 1°

SURFACE FINISH: 1.6/

ALL TOOL TIP RADII R0.4 UNLESS OTHERWISE STATED

TITLE: AEROLOC BAIL HANDLE STUD ASSEMBLY

DRAWN: WW **DATE:** 10/09/2015 **MATERIAL:** STEEL

APPV'D: RC **DATE:** 07/08/2020 **FINISH:** NONE

PROJECTION: THIRD ANGLE

DWG NO.: 200-5000 & 200-5100

SCALE: NTS **SHEET:** 1 OF 1

THE DOCUMENT AND COPYRIGHT HEREIN ARE THE PROPERTY OF CLARENDON SPECIALTY FASTENERS LTD AND MAY ONLY BE USED OR COPIED IF AUTHORIZED IN WRITING BY CLARENDON SPECIALTY FASTENERS LTD

A3